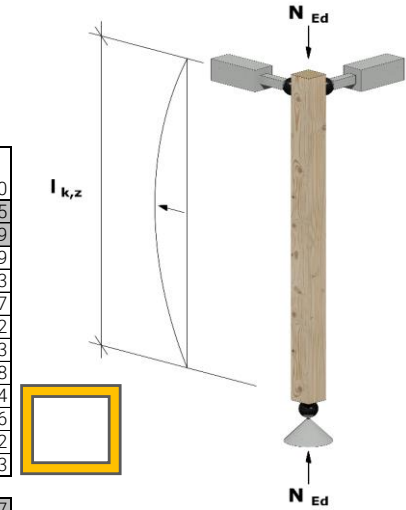


Bemessungstabelle für HohlHolz

nach SIA 265



Typ	Breite mm	Höhe mm	A mm ²	i _z mm	N _{Rd} kN	Knickwiderstand N _{k,z,Rd} in kN bei Knicklänge l _{k,z} in m																
						1.0	1.5	2.0	2.5	3.0	3.5	4.0	4.5	5.0	5.5	6.0	6.5	7.0	7.5	8.0		
HH-A	160	160	19200	51.6	307.2	306.8	300.8	292.2	277.8	251.4	212.7	173.7	141.7	116.9	97.8	82.9	71.1	61.6	53.9	47.5		
HH-A	180	180	22400	59.4	358.4	359.5	353.9	346.7	336.2	319.0	290.0	250.5	210.3	176.0	148.3	126.2	108.6	94.3	82.6	72.9		
HH-A	200	200	25600	67.3	409.6	412.3	406.9	400.4	391.9	379.5	359.7	328.9	288.9	247.9	211.7	181.5	156.8	136.5	119.8	105.9		
HH-A	220	220	28800	75.3	460.8	465.0	459.8	453.8	446.4	436.5	422.1	400.2	368.0	327.6	286.0	248.3	216.0	189.0	166.3	147.3		
HH-A	240	240	32000	83.3	512	517.8	512.6	506.9	500.2	491.7	480.4	464.2	440.5	407.2	366.6	324.6	285.7	251.7	222.5	197.7		
HH-A	260	260	35200	91.3	563.2	570.5	565.4	559.9	553.6	546.1	536.6	523.8	506.0	480.6	446.5	405.8	363.5	323.7	288.2	257.2		
HH-A	280	280	38400	99.3	614.4	623.2	618.2	612.8	606.8	599.9	591.6	580.9	566.8	547.4	520.7	485.9	445.1	402.6	362.1	325.3		
HH-A	300	300	41600	107.4	665.6	676.0	670.9	665.6	659.9	653.4	645.9	636.6	624.9	609.4	588.6	560.7	525.4	484.6	441.9	400.8		
HH-A	320	320	44800	115.5	716.8	728.7	723.7	718.5	712.9	706.7	699.7	691.4	681.3	668.4	651.7	629.6	600.7	564.9	524.1	481.4		
HH-A	340	340	48000	123.6	768	781.5	776.5	771.3	765.8	759.9	753.3	745.7	736.6	725.6	711.7	693.7	670.5	640.7	604.5	563.6		
HH-A	360	360	51200	131.7	819.2	834.3	829.2	824.1	818.7	813.0	806.7	799.5	791.3	781.5	769.5	754.6	735.5	711.2	680.7	644.2		
HH-A	400	400	57600	147.9	921.6	939.8	934.8	929.7	924.4	918.9	913.0	906.6	899.4	891.2	881.6	870.3	856.5	839.6	818.5	792.3		

HH-B	160	160	24000	47.6	384	382.4	373.7	360.3	335.5	290.8	236.1	189.0	152.8	125.6	104.8	88.7	75.9	65.8	57.5	50.7
HH-B	180	180	28800	54.8	460.8	461.1	452.9	441.8	424.3	393.2	343.5	286.2	235.8	195.4	163.9	139.1	119.4	103.6	90.6	79.9
HH-B	200	200	33600	62.2	537.6	540.0	532.1	522.3	508.5	486.7	450.6	397.6	338.6	285.4	241.4	205.9	177.3	154.1	135.1	119.3
HH-B	220	220	38400	69.8	614.4	618.9	611.2	602.2	590.4	573.8	548.2	508.0	452.9	392.7	337.2	290.1	251.0	218.8	192.2	170.0
HH-B	240	240	43200	77.5	691.2	697.9	690.3	681.7	671.3	657.6	638.1	608.9	565.7	509.1	448.0	390.7	340.9	298.6	263.1	233.2
HH-B	260	260	48000	85.2	768	777.0	769.4	761.2	751.5	739.6	723.8	701.6	669.3	623.6	566.0	504.2	445.5	393.3	348.2	309.7
HH-B	280	280	52800	93.1	844.8	856.0	848.5	840.5	831.4	820.6	807.0	789.1	764.3	729.3	681.7	623.4	561.1	501.2	447.1	399.5
HH-B	300	300	57600	101.0	921.6	935.1	927.6	919.7	911.0	901.0	888.9	873.8	853.8	826.6	789.2	740.1	681.2	618.6	557.7	501.9
HH-B	320	320	62400	108.9	998.4	1014.2	1006.7	998.9	990.5	981.0	970.0	956.7	939.8	917.9	888.4	849.0	798.6	739.4	676.4	614.8
HH-B	340	340	67200	116.9	1075.2	1093.3	1085.8	1078.1	1069.9	1060.8	1050.6	1038.5	1023.8	1005.3	981.4	949.9	908.8	857.3	797.7	734.6
HH-B	360	360	72000	124.9	1152	1172.4	1164.9	1157.3	1149.2	1140.5	1130.7	1119.6	1106.4	1090.3	1070.2	1044.5	1011.1	968.4	916.1	856.3
HH-B	400	400	81600	140.9	1305.6	1330.7	1323.2	1315.6	1307.7	1299.4	1290.4	1280.4	1269.2	1256.1	1240.7	1221.9	1198.7	1169.6	1133.0	1087.8

HH-C	200	200	38400	58.9	614.4	616.2	606.4	593.9	575.3	544.6	493.1	424.0	355.0	296.7	249.9	212.6	182.8	158.7	139.0	122.7
HH-C	220	220	44800	65.8	716.8	721.1	711.3	699.6	683.8	660.2	622.3	563.7	490.5	418.4	356.2	304.9	263.1	228.9	200.8	177.5
HH-C	240	240	51200	73.0	819.2	826.1	816.4	805.2	791.2	771.9	743.3	699.1	635.3	559.3	484.8	419.1	363.8	317.7	279.4	247.3
HH-C	260	260	57600	80.4	921.6	931.3	921.6	910.8	897.9	881.3	858.5	825.1	775.6	708.0	630.2	553.6	484.9	425.9	375.9	333.6
HH-C	280	280	64000	87.9	1024	1036.6	1026.9	1016.3	1004.2	989.3	970.1	943.7	905.9	852.1	781.8	702.5	624.3	553.1	490.8	437.1
HH-C	300	300	70400	95.6	1126.4	1141.9	1132.2	1121.8	1110.2	1096.5	1079.7	1057.7	1027.9	986.1	928.7	856.4	776.1	696.5	623.1	557.8
HH-C	320	320	76800	103.3	1228.8	1247.3	1237.5	1227.3	1216.0	1203.2	1188.0	1169.0	1144.3	1111.2	1065.9	1005.6	931.8	850.7	769.9	694.6
HH-C	340	340	83200	111.1	1331.2	1352.7	1342.9	1332.7	1321.8	1309.6	1295.5	1278.5	1257.4	1230.1	1193.8	1145.4	1082.8	1007.7	926.0	844.4
HH-C	360	360	89600	118.9	1433.6	1458.1	1448.3	1438.2	1427.5	1415.7	1402.4	1387.0	1368.3	1344.9	1315.0	1275.9	1224.7	1160.2	1084.2	1002.0
HH-C	400	400	102400	134.7	1638.4	1669.0	1659.1	1649.1	1638.7	1627.5	1615.4	1601.8	1586.1	1567.7	1545.4	1517.9	1483.1	1438.8	1383.2	1315.7

HH-D	300	300	80000	91.3	1280	1296.6	1284.9	1272.4	1258.2	1241.1	1219.5	1190.5	1149.9	1092.3	1014.7	922.3	826.2	735.7	654.9	584.5
HH-D	320	320	88000	98.7	1408	1428.1	1416.4	1403.9	1390.1	1374.1	1354.7	1329.8	1296.6	1250.9	1187.9	1106.3	1011.4	913.6	820.7	736.8
HH-D	340	340	96000	106.1	1536	1559.7	1547.9	1535.5	1522.0	1506.8	1488.9	1466.9	1438.7	1401.4	1351.0	1283.5	1198.7	1102.0	1002.7	907.9
HH-D	360	360	104000	113.7	1664	1691.4	1679.5	1667.1	1653.9	1639.3	1622.5	1602.5	1577.9	1546.5	1505.2	1450.5	1379.2	1291.8	1193.9	1093.3
HH-D	400	400	120000	129.1	1920	1954.8	1942.8	1930.5	1917.6	1903.7	1888.4	1871.1	1850.8	1826.6	1796.6	1758.9	1710.5	1648.5	1571.3	1480.3

λ > 150: nur für Verbände und Sekundärelemente

Hohlraum: Maximale Wandstärken: HH-A = 45 mm, HH-B = 65 mm, HH-C = 85 mm, HH-D = 110 mm